

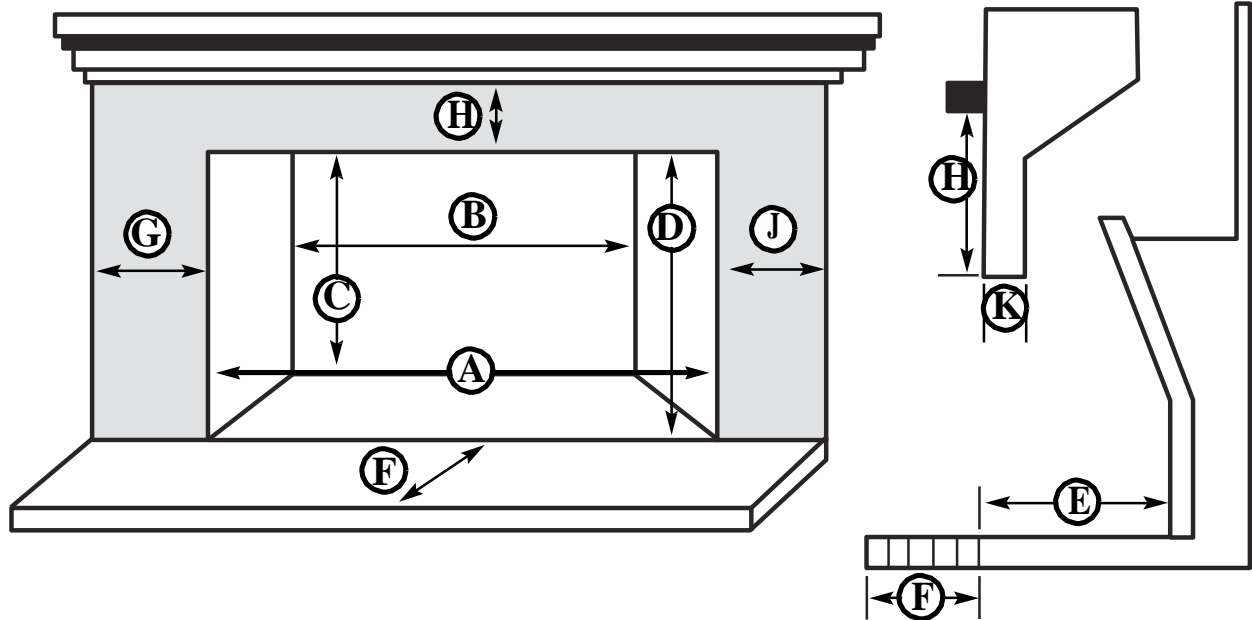
# FIREPLACE MEASUREMENTS

Customer Name \_\_\_\_\_ Salesperson/Tech \_\_\_\_\_

Address&City \_\_\_\_\_

Work Phone \_\_\_\_\_ Home Phone \_\_\_\_\_

Cell Phone \_\_\_\_\_ Date \_\_\_\_\_



**A** Width-Front: \_\_\_\_\_

**B** Width-Rear: \_\_\_\_\_

**C** Height-Center: \_\_\_\_\_

**D** Height-Side: \_\_\_\_\_

**E** Firebox Depth: \_\_\_\_\_

**F** Hearth Measurement: \_\_\_\_\_

**G** Distance to side mantle Left: (or combustible surface) \_\_\_\_\_

**H** Height to mantle: (or combustible surface) \_\_\_\_\_

**J** Distance to side mantle Right: (or combustible surface) \_\_\_\_\_

**K** Width of Lintel: \_\_\_\_\_

Is this an arch fireplace  yes  no

Is this a prefabricated or all metal fireplace  yes  no

Is this an all masonry fireplace  yes  no

Is there a drop between the hearth and the firebox?

yes  no (E&F) how much \_\_\_\_\_

Please note any unusual protruding bricks \_\_\_\_\_

Is there anything unusual about the fireplace?  yes  no

**OTHER**

1) Type of facing: Brick  Stone

2) Is a flue liner in chimney?  yes  no



2475 Old Washington Road Waldorf, MD 20601

301-843-1491 fax 240-607-2259